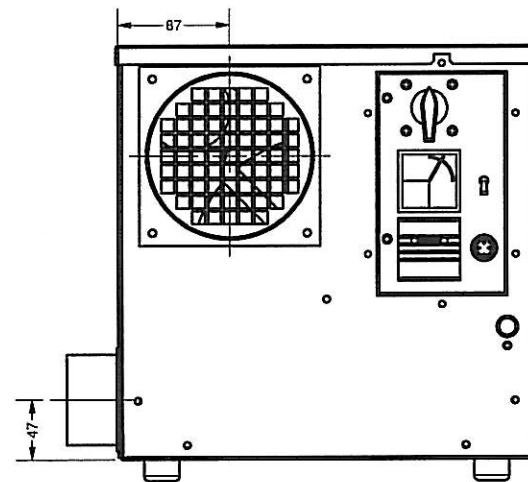
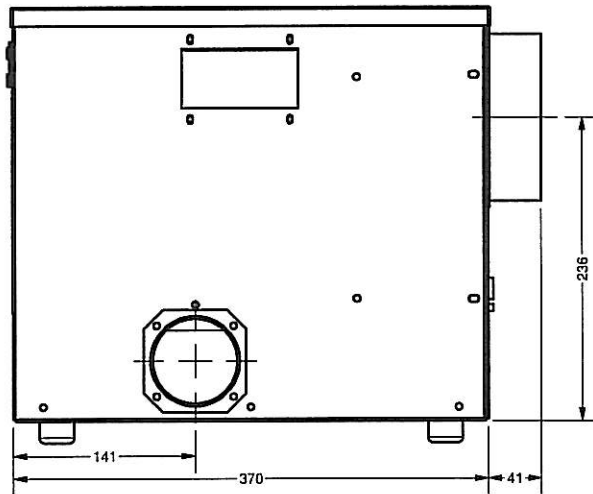
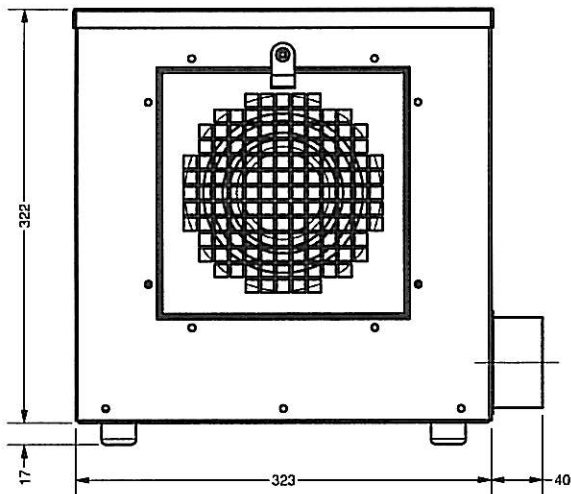
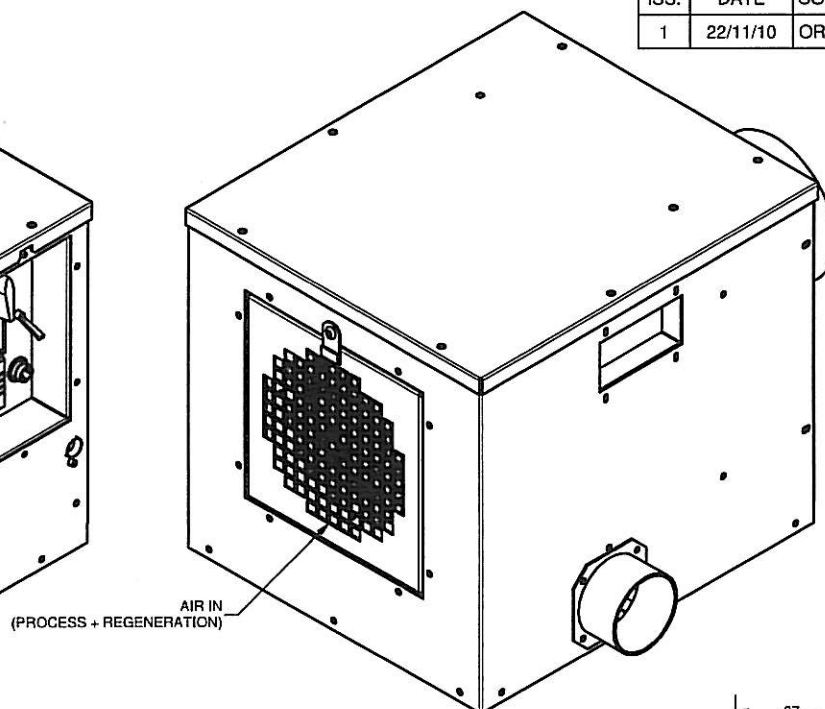
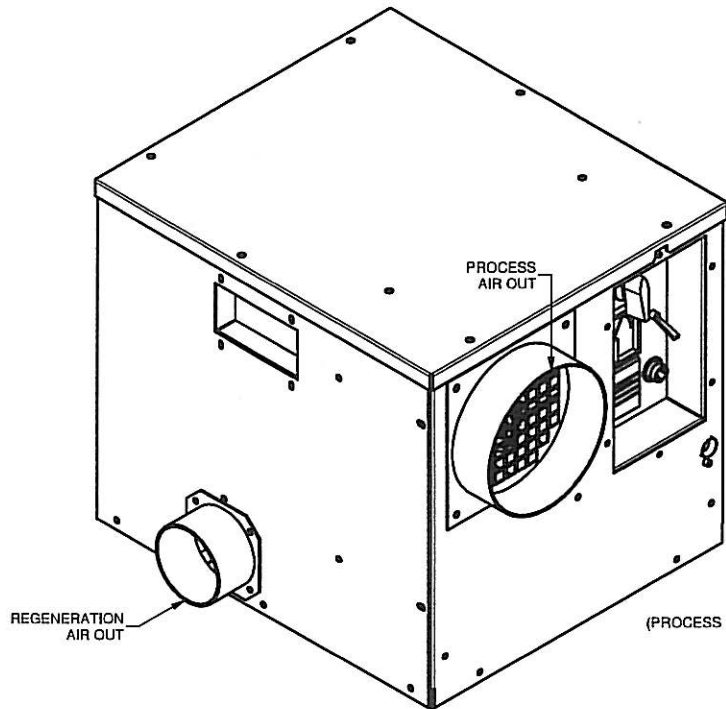

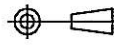
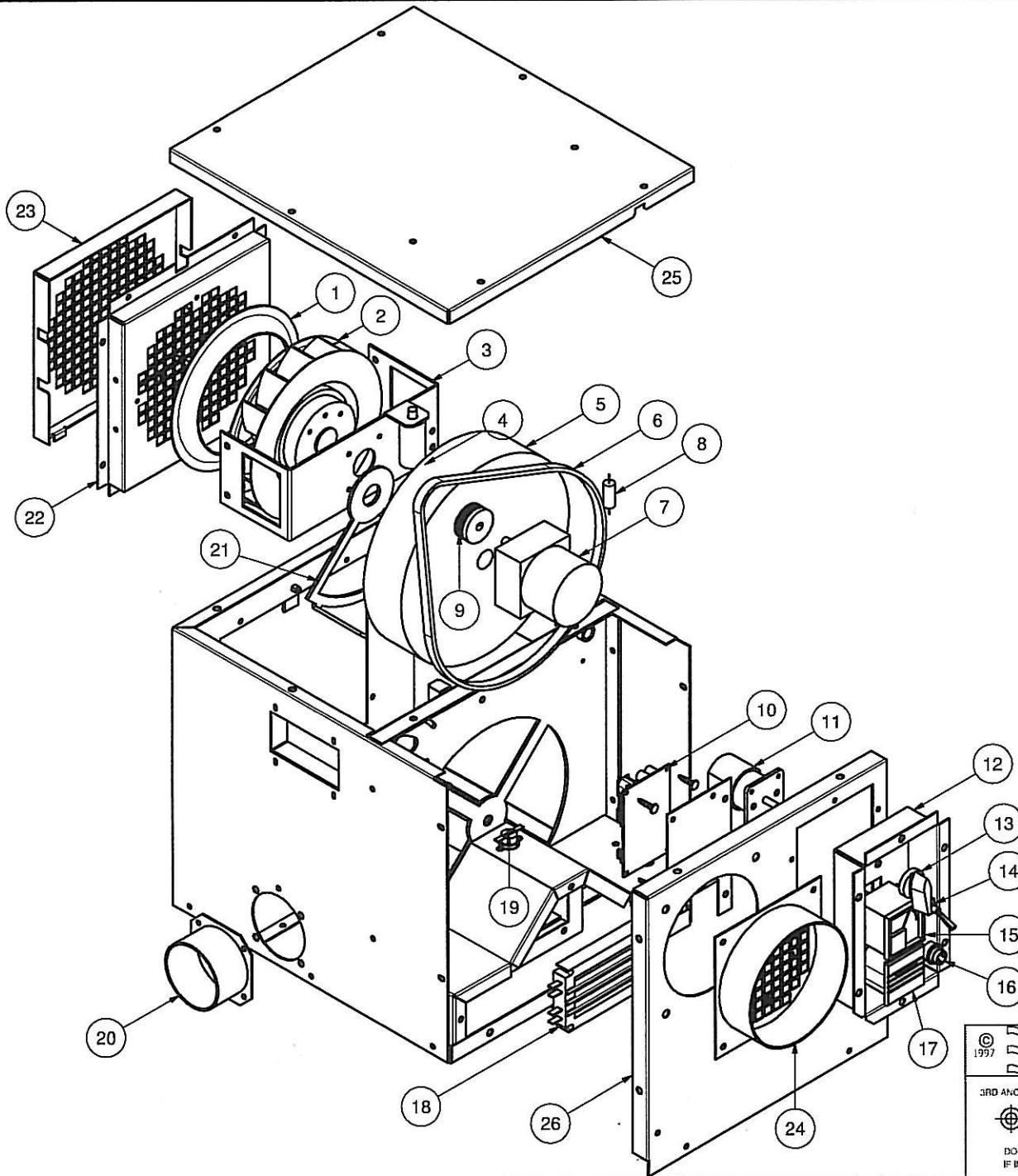


ISS.	DATE	COMMENTS
1	22/11/10	ORIGINAL



 © 1997 BISHOP AUCKLAND Co. DURHAM ENGLAND	TITLE <b>DD200 GENERAL ASSY</b>	
	MATERIAL N/A	DRAWN : <b>W DAGLISH3</b> CAD SCALE : <b>1/4</b>
DIMENSIONS IN m.m. TOLERANCES UNLESS OTHERWISE STATED 0. ± 1 0.0 ± 0.25 0.00 ± 0.05 ANGULAR ± 0.5 DEGREE	FINISH N/A	DRG.NO. <b>1050200</b>
3RD ANGLE PROJECTION  DO NOT SCALE IF IN DOUBT ASK	SHEET <b>1</b> OF <b>2</b>	

ISS.	DATE	COMMENTS
1	22/11/10	ORIGINAL



Parts List		
ITEM	DESCRIPTION	QTY
1	MOTOR INLET RING	1
2	MOTOR	1
3	MOTOR BRACKET	1
4	MOTOR CAPACITOR	1
5	DESICCANT WHEEL	1
6	DESICCANT WHEEL DRIVE BELT	1
7	DRIVE MOTOR	1
8	DRIVE MOTOR CAPACITOR	1
9	PULLEY	1
10	CONTROL PCB	1
11	ON / OFF SWITCH	1
12	CONTROL BOX	1
13	ON / OFF SWITCH KNOB	1
14	AUTO / MANUAL SELECTION SWITCH	1
15	AMMETER	1
16	EXTERNAL HUMIDISTAT CONNECTOR	1
17	HOURS RUN METER	1
18	PTC HEATER	1
19	OVER HEAT PROTECTOR	1
20	REGENERATION OUTLET SPIGOT	1
21	DESICCANT WHEEL SEALING PLATE	1
22	INLET FILTER CAGE	1
23	INLET FILTER RETAINER	1
24	PROCESS OUTLET SPIGOT	1
25	TOP COVER	1
26	FRONT COVER	1

© 1997 **IP LTD** BISHOP AUCKLAND  
Co. DURHAM  
ENGLAND

3RD ANGLE PROJECTION

DO NOT SCALE  
IF IN DOUBT ASK

DIMENSIONS IN m.m.  
TOLERANCES UNLESS  
OTHERWISE STATED

0.	± 1
0.0	± 0.25
0.00	± 0.05
ANGULAR	± 0.5 DEGREE

TITLE		DD200 GENERAL ASSY	
MATERIAL	N/A	DRAWN:	W DAGLISH
FINISH	N/A	CAD SCALE:	1/4
		ORG.NO.	1050200
		SHEET	2
		OF	2